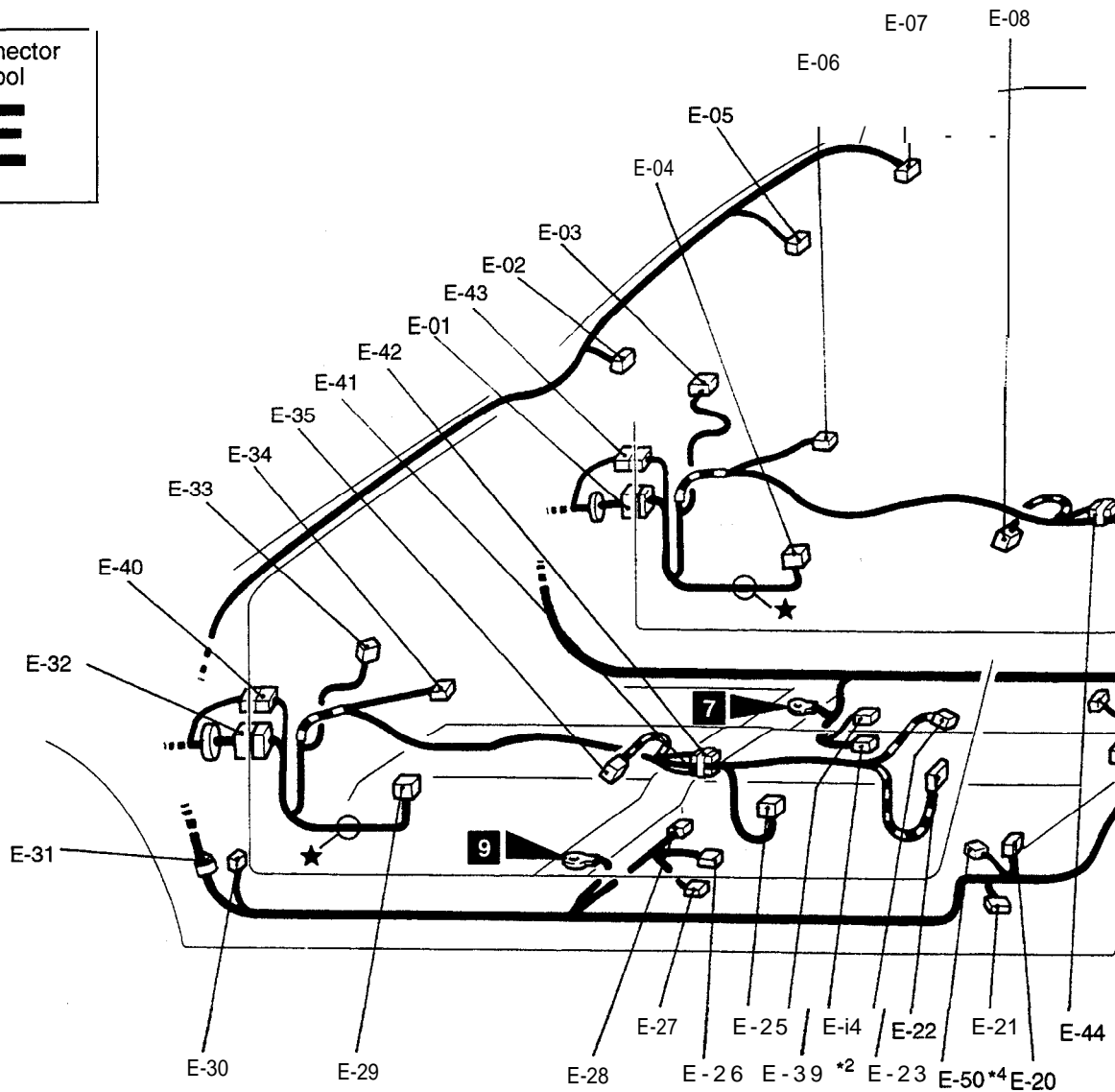
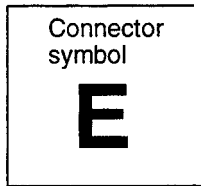


INTERIOR

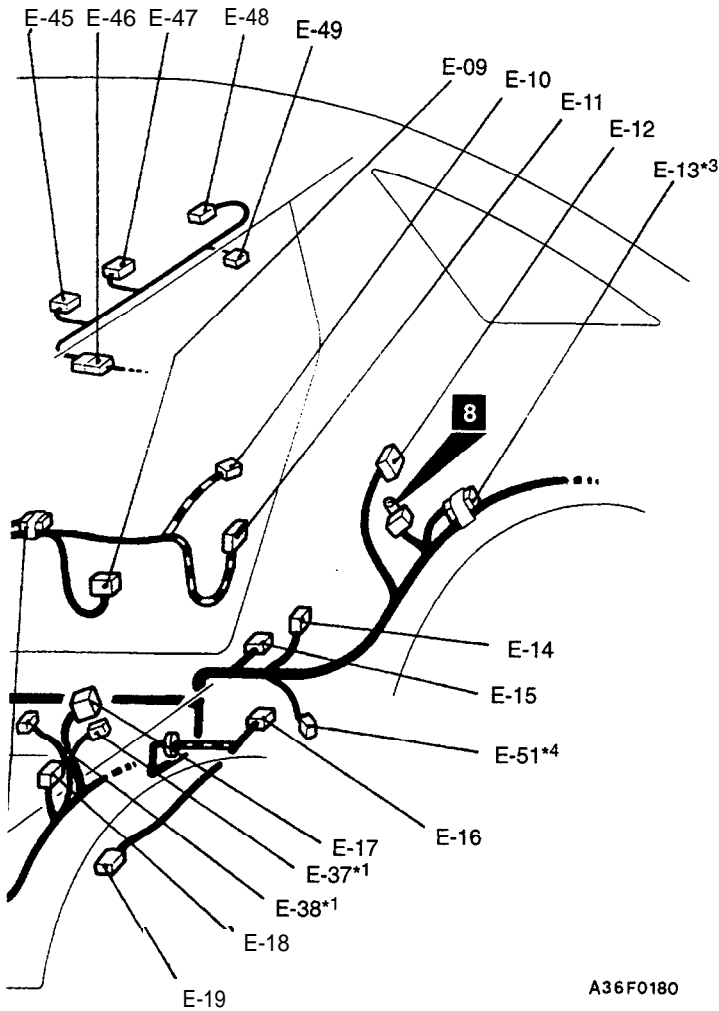


NOTE

- (1) \*1: From 1993 models
- (2) ● .\*: From 1994 models
- (3) \*3: Up to 1995 models
- (4) \*4: From 1996 models

E-01	Body wiring harness (RH) and door wiring harness (RH) combination
E-02	Vanity mirror illumination light (LH)
E-03	Door mirror (RH)
E-04	Door speaker (RH)
E-05	Dome light
E-06	Power window sub switch
E-07	Vanity mirror illumination light (RH)
E-08	Power window motor (RH)
E-09	Door light (RH)
E-10	Door key cylinder unlock switch (RH)
E-11	Door lock actuator (RH)
E-12	ABS control unit
E-13	ABS resistor <AWD>*3

E-14	Front seat belt solenoid (RH)
E-15	Door switch (RH)
E-16	ABS rear speed sensor (RH)
E-17	Light automatic shut-OFF unit
E-18	Rear intermittent wiper relay
E-19	ABS rear speed sensor (LH)
E-20	Front seat belt solenoid (LH)
E-21	Door switch (LH)
E-22	Door lock actuator (LH)
E-23	Door key cylinder unlock switch (LH)
E-24	Front seat belt switch (RH)
E-25	Door light (LH)
E-26	Front seat belt switch (LH)
E-27	Power seat assembly



A36F0180

- |      |   |      |   |
|------|---|------|---|
| E-28 | ECS G sensor  | E-41 | Jumper connector A (LH) <Convertible>   |
| E-29 | Door speaker  | E-42 | Jumper connector B <Convertible>  |
| E-30 | Turn signal and hazard flasher unit   | E-43 | Body wiring harness (RH) and door wiring harness (RH) combination <Convertible>   |
| E-31 | Diode (for MFI circuit)   | E-44 | Jumper connector A (RH) <Convertible>   |
| E-32 | Body wiring harness (LH) and door wiring harness (LH) combination               | E-45 | Sunroof control unit  |
| E-33 | Door mirror (LH)  | E-46 | <b>Liftgate</b> wiring harness and sunroof wiring harness combination <Hatchback> |
| E-34 | Power window main switch  | E-47 | Sunroof switch  |
| E-35 | Power window motor (LH)   | E-48 | Sunroof motor   |
| E-37 | <b>Keyless control Unit</b> *1  | E-49 | Interior temperature sensor <Vehicles with sunroof>                               |
| E-38 | Door lock power relay 2*1 (for keyless control system)                          | E-50 | Rear courtesy light (LH) <Convertible>*4  |
| E-39 | <b>Amplifier</b> *2   | E-51 | Rear courtesy light (RH) <Convertible>*4  |
| E-40 | Body wiring harness (LH) and door wiring harness (LH) combination <Convertible> |      |   |

TSB Revision