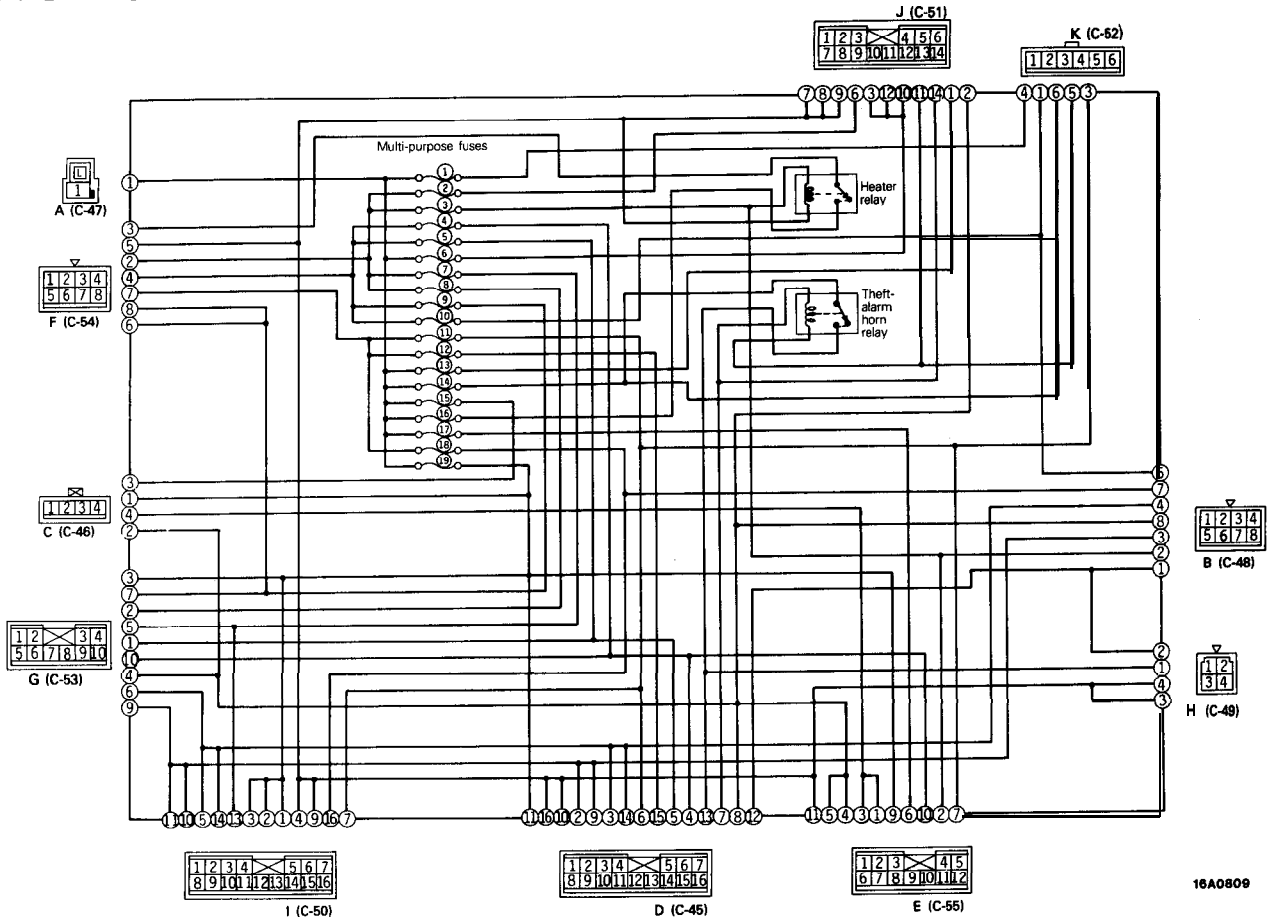
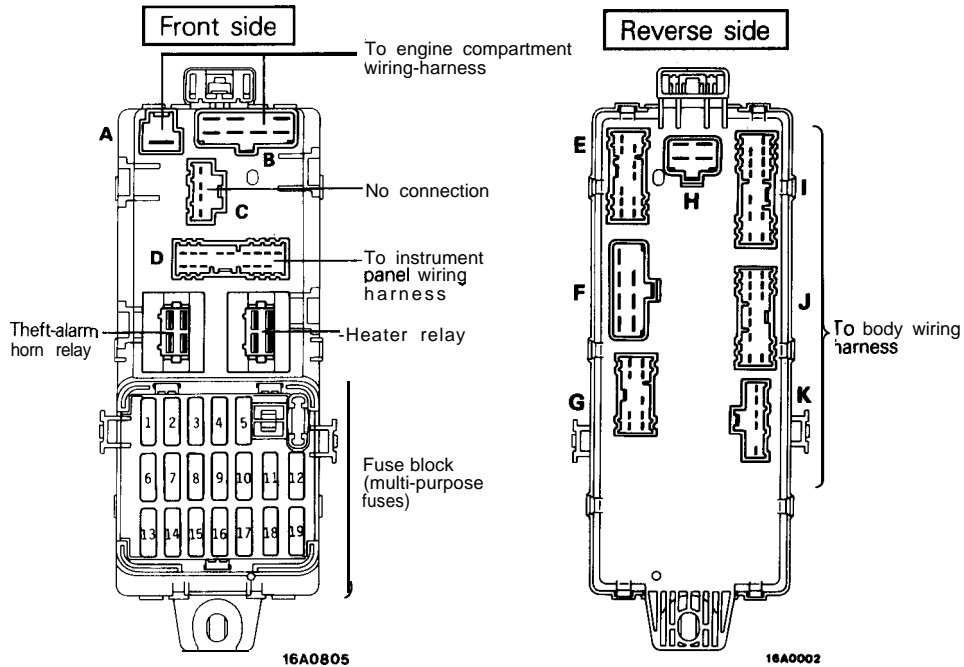


JUNCTION BLOCK



16A0809



Remarks

- (1) Same alphabets in the diagram indicate the counterparts of connectors.
- (2) Terminals of the harness side connector are indicated in parentheses ().

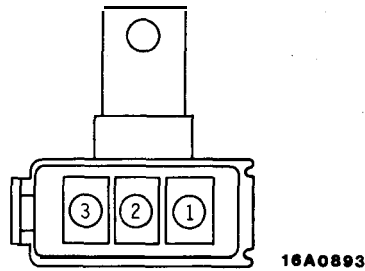
CENTRALIZED JUNCTION

N08BB-

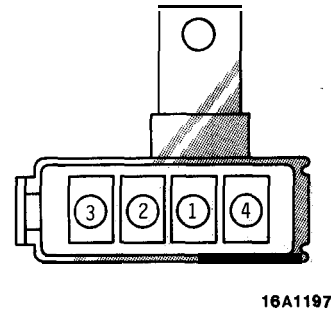
MAIN FUSIBLE LINK (direct connection to battery's positive ⊕ terminal)

No.	Circuit	Housing color	Rated capacity (A)
1	MPI circuit	Blue	20
2	Radiator fan motor circuit	Pink	30
3	Ignition switch circuit	Pink	30
4	ABS circuit	Yellow	60

<Vehicles without ABS>



<Vehicles with ABS>

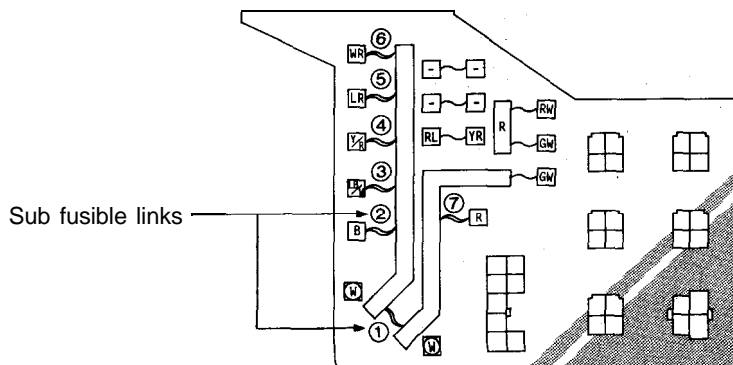


SUB FUSIBLE LINK (relay box inside engine compartment)

No.	Circuit	Housing color	Rated capacity (A)
1	Alternator circuit, sub fusible link ②, ③, ④, ⑤, ⑥	Black, Blue*	80, 100"
2	Defogger circuit	Green	40
3	Automatic seatbelt circuit, dedicated fuse ⑤ circuit	Pink	30
4	Pop-up circuit, Alternator circuit	Pink	30
5	Power window circuit	Pink	30
6	Multi- ^{-pt} purpose fuse ①, ⑥, ⑬, ⑭, ⑮, ⑯, ⑰, ⑱, dedicated fuse ④ circuit	Green	40
7	Headlight circuit, dedicated fuse ①, ③, ⑥ circuit	Green	40

NOTE

* : <Vehicles for Canada>



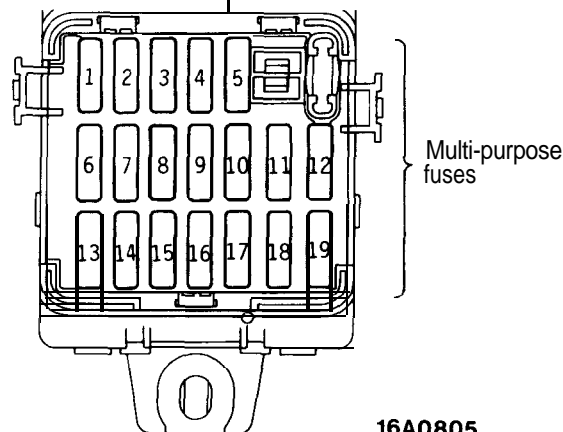
16A0897

MULTI-PURPOSE FUSE (inside junction block)

Power supply circuit		No.	Rated capacity (A)	Load circuit
Battery		1	10	Automatic seatbelt control unit, key reminder switch, passing control relay, seatbelt warning buzzer, taillight relay, theft-alarm starter relay
Ignition switch	IG2	2	—	—
		3	10	Air conditioner control unit, air conditioner switch, defogger timer, heater relay, power window relay, transistor relay*, daytime running light relay 2*, ABS relay
	ACC	4	10	Radio
		5	15	Cigarette lighter, remote controlled mirror
Battery		6	15	Door lock relay, door lock control unit
Ignition switch	IG2	7	10	4-speed automatic transaxle control unit, auto-cruise control unit <A/T>, combination meter
		8	—	—
	ACC	9	15	Intermittent wiper relay, wiper motor, washer motor
		10	10	Headlight relay, horn, theft-alarm control unit, daytime running light relay 1 .
	IG1	11	10	Auto-cruise control unit, auto-cruise control actuator automatic seatbelt control unit, combination meter, theft-alarm control unit, seatbelt timer*
		12	10	Turn-signal and hazard flasher unit
Battery		13	—	—
		14	10	Theft-alarm horn relay
		15	—	—
		16	30	Blower motor
		17	15	Stop light
Ignition switch	IG1	18	10	Back-up light <M/T>, dome light relay
Battery		19	10	4-speed automatic transaxle control unit, dome light, door-ajar warning light, foot light, ignition key illumination light, luggage compartment light, MPI control unit, radio, security light, ABS relay

NOTE

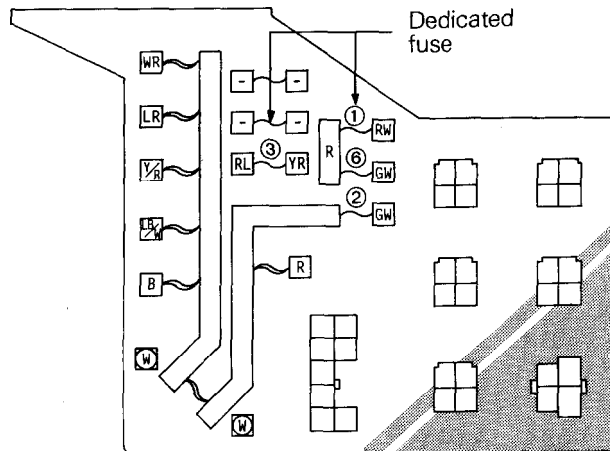
* : <Vehicles for Canada >



DEDICATED FUSE

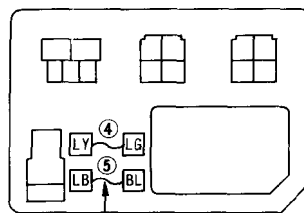
Power supply circuit	No.	Rated capacity (A)	Housing color	Circuit
Sub fusible link ⑦	1	10	Red	Taillight circuit
Battery	2	10	Red	Hazard warning light circuit
Headlight relay	3	10	Red	Upper beam circuit
Sub fusible link ⑥	4	10	Red	Air conditioner magnetic clutch circuit
Sub fusible link ③	5	20	Yellow	Condenser fan motor circuit
Sub fusible link ⑦	6	15	Blue	Foglight circuit

<Engine compartment R.H. side relay box>



16A0897

<Engine compartment L.H. side relay box (air conditioner equipped models) >



Dedicated fuse

16A0896

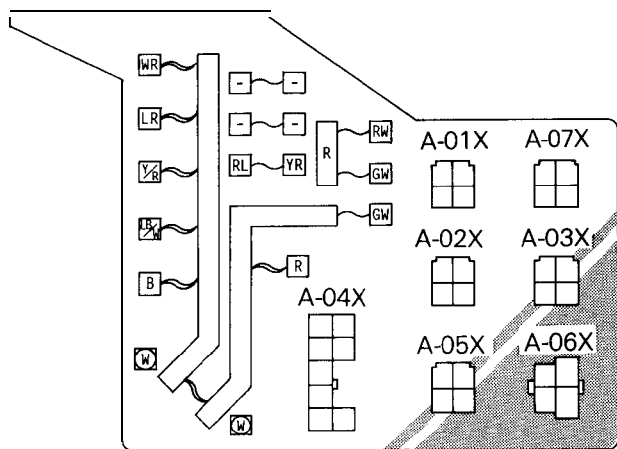
CENTRALIZED RELAY

Classification	Name	Classification	Name		
Engine compartment R.H. side relay box	A-01X	Taillight relay	Engine compartment L.H. side relay box	A-I 7X	Condenser fan motor high-low changeover relay
	A-02X	Headlight relay		A-I 8X	Condenser fan motor relay
	A-03X	Radiator fan motor relay		A-I 9X	Magnetic clutch relay
	A-04X	Pop-up motor relay	Interior relay box	C-34X	Door lock relay
	A-05X	Power window relay		C-35X	Starter relay <M/T> Theft-alarm starter relay <A/T>
	A-06X	Alternator relay		C-36X	Defogger timer
	A-07X	Foglight relay		C-37X	Seatbelt timer*
		C-38X		Daytime running light relay 1*	
		C-39X	Daytime running light relay 2*		

NOTE

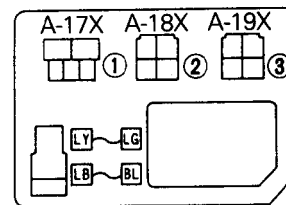
*: <Vehicles for Canada>

< Engine compartment R.H. side relay box >



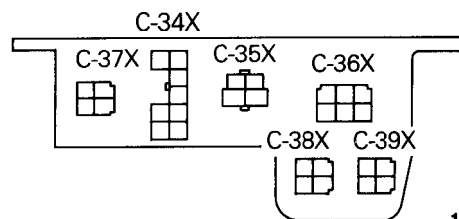
16A0897

< Engine compartment L.H. side relay box (air conditioner equipped models) >



16A0896

< Interior relay box >



16A0892