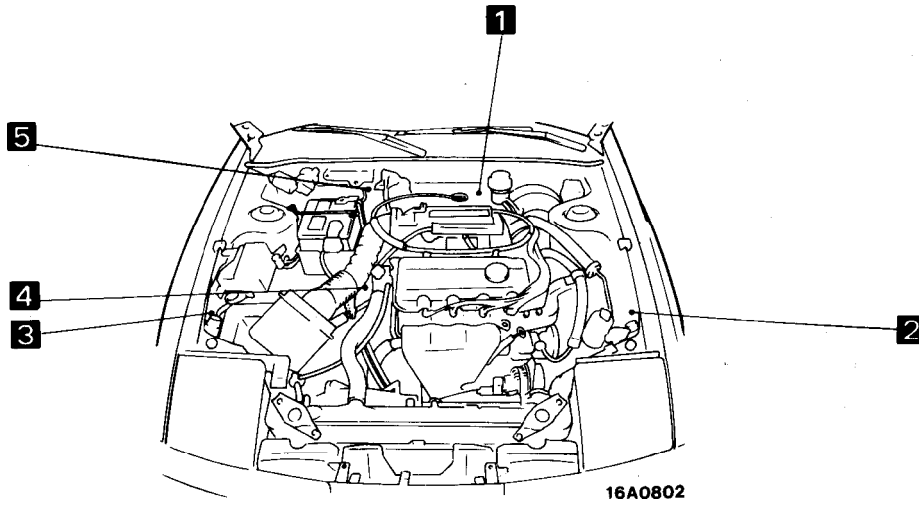
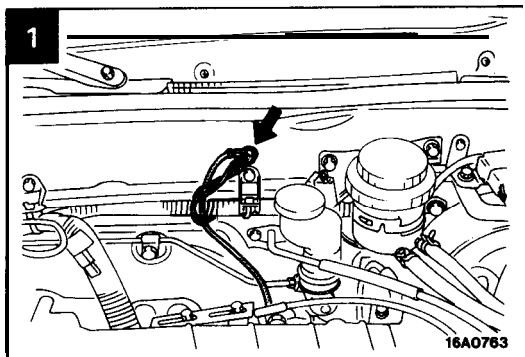


GROUNDING LOCATION

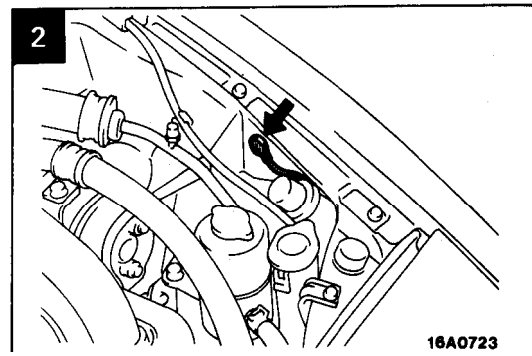
< Engine compartment >



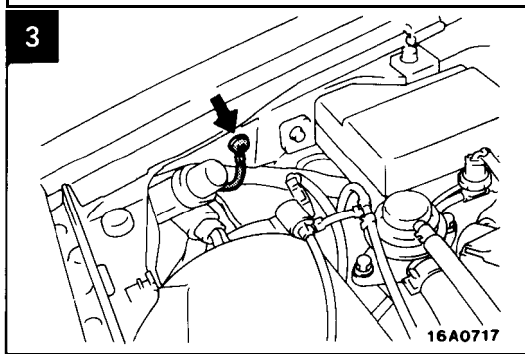
16A0802



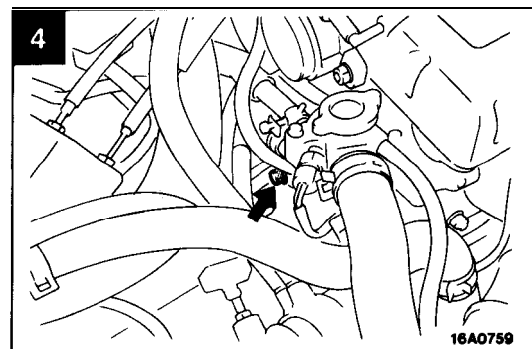
16A0763



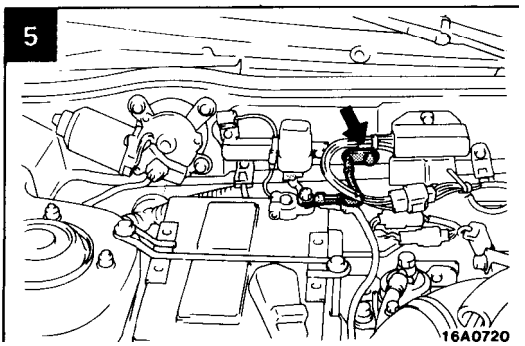
16A0723



16A0717

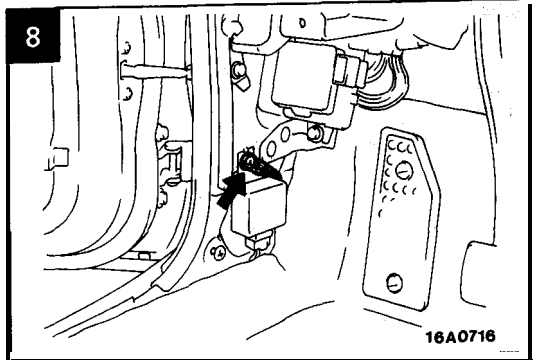
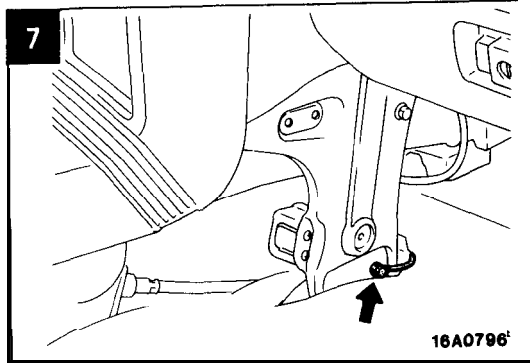
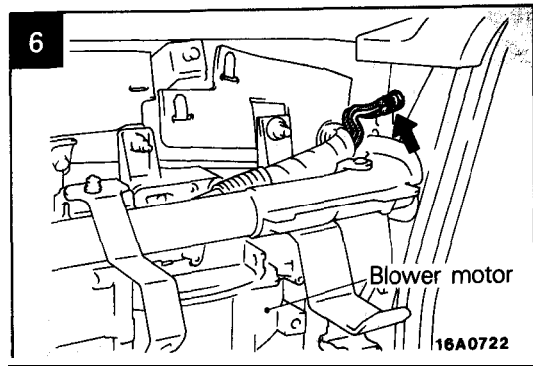
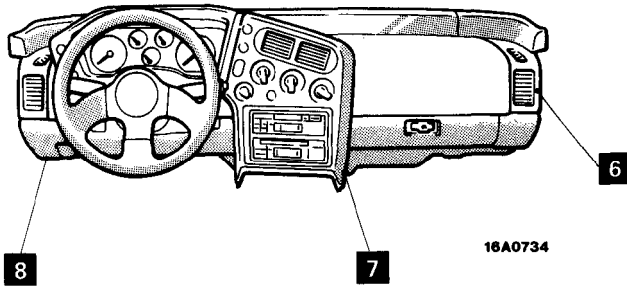


16A0759

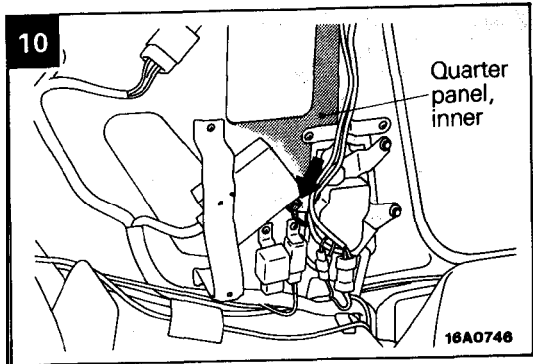
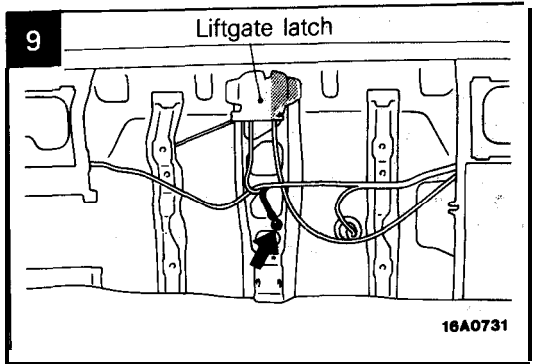
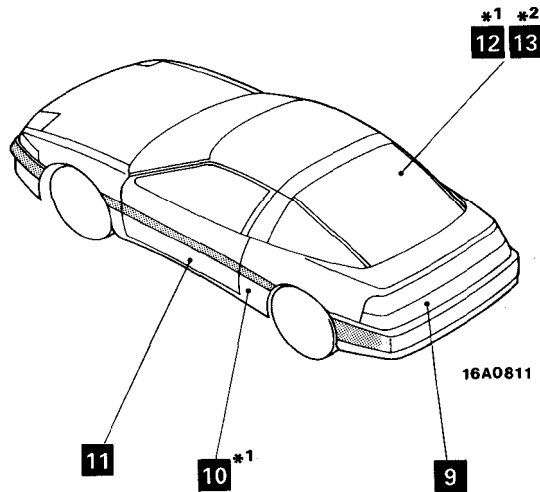


16A0720

< Interior—Front section >

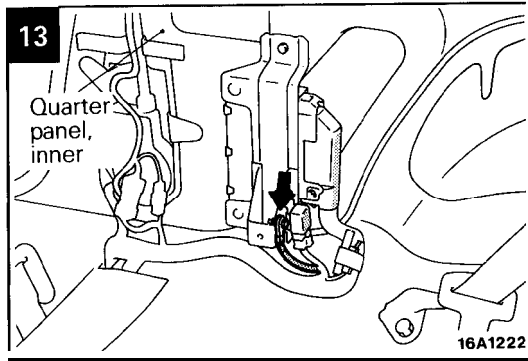
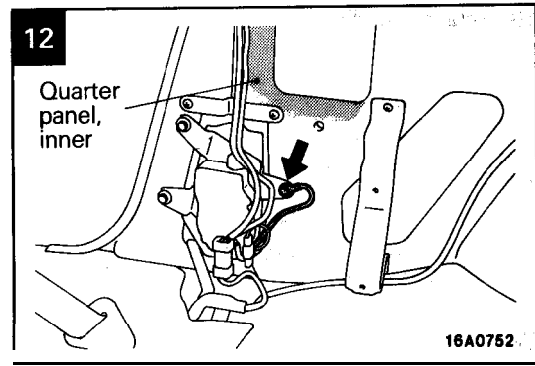
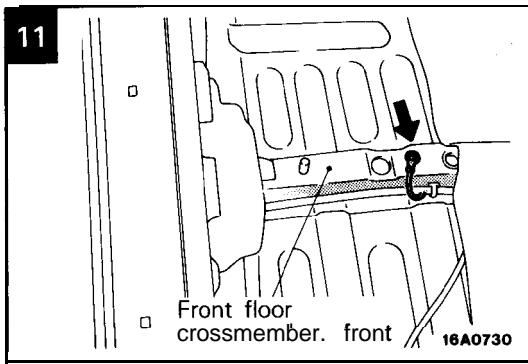


< Interior—Rear section and luggage compartment >



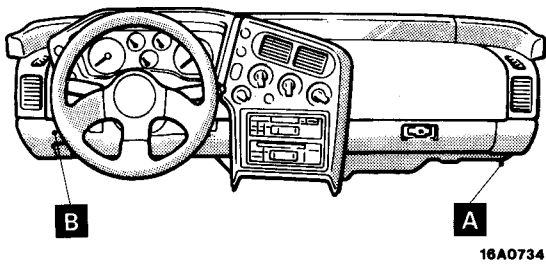
NOTE

- (1) *1: Vehicles with automatic seat belt
- (2) *2: Vehicles with ABS



DIODE LOCATION

< Interior-Front section >



Name	Symbol
Diode (for ABS circuit)	D
Diode (for door ajar-warning circuit)	C
Diode (for pop-up circuit)	A
Diode (for theft-alarm circuit)	B

NOTE
The "Name" column is arranged in alphabetical order.

