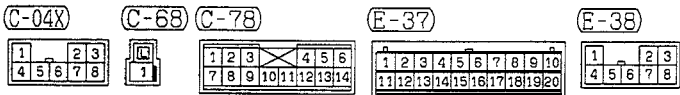
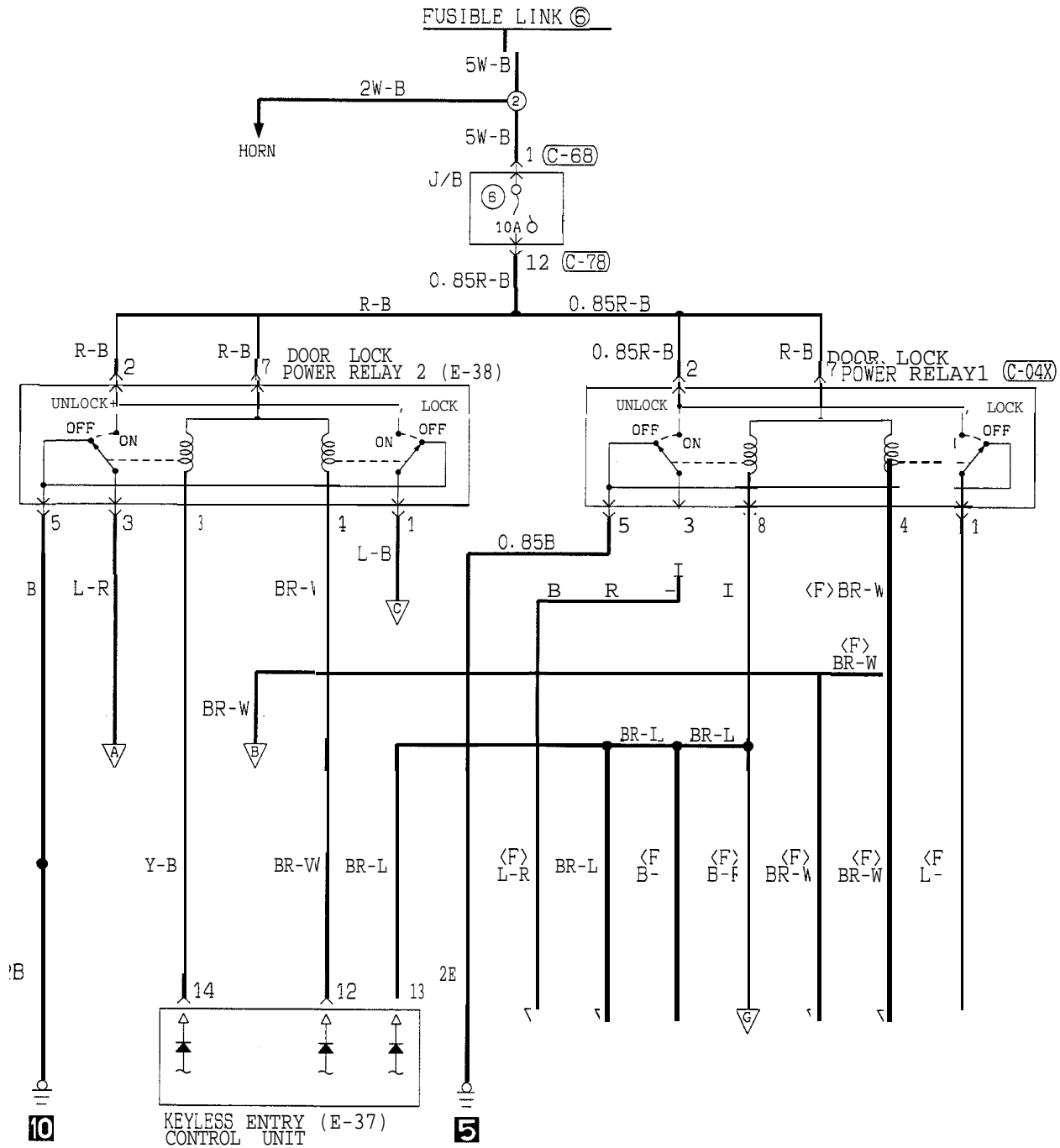
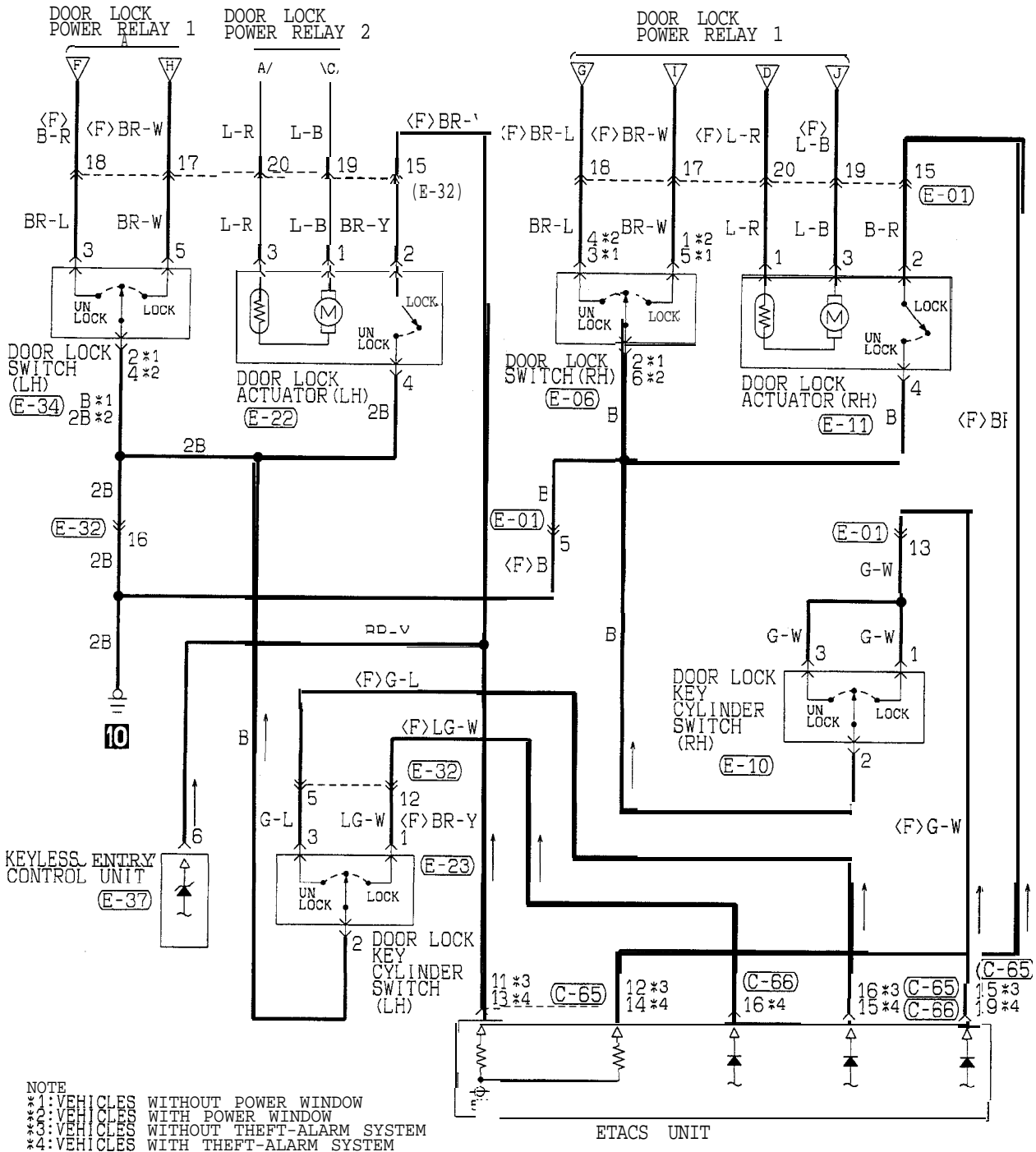
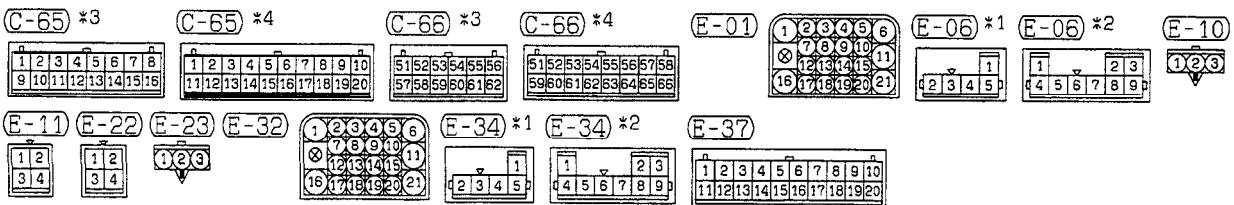


CENTRAL DOOR LOCKING CIRCUIT (1994, 1995 MODELS)



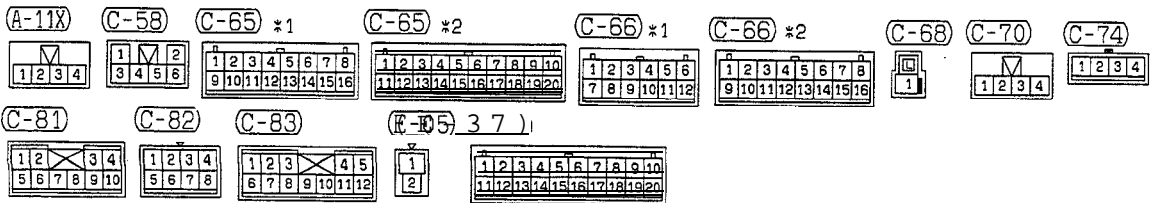
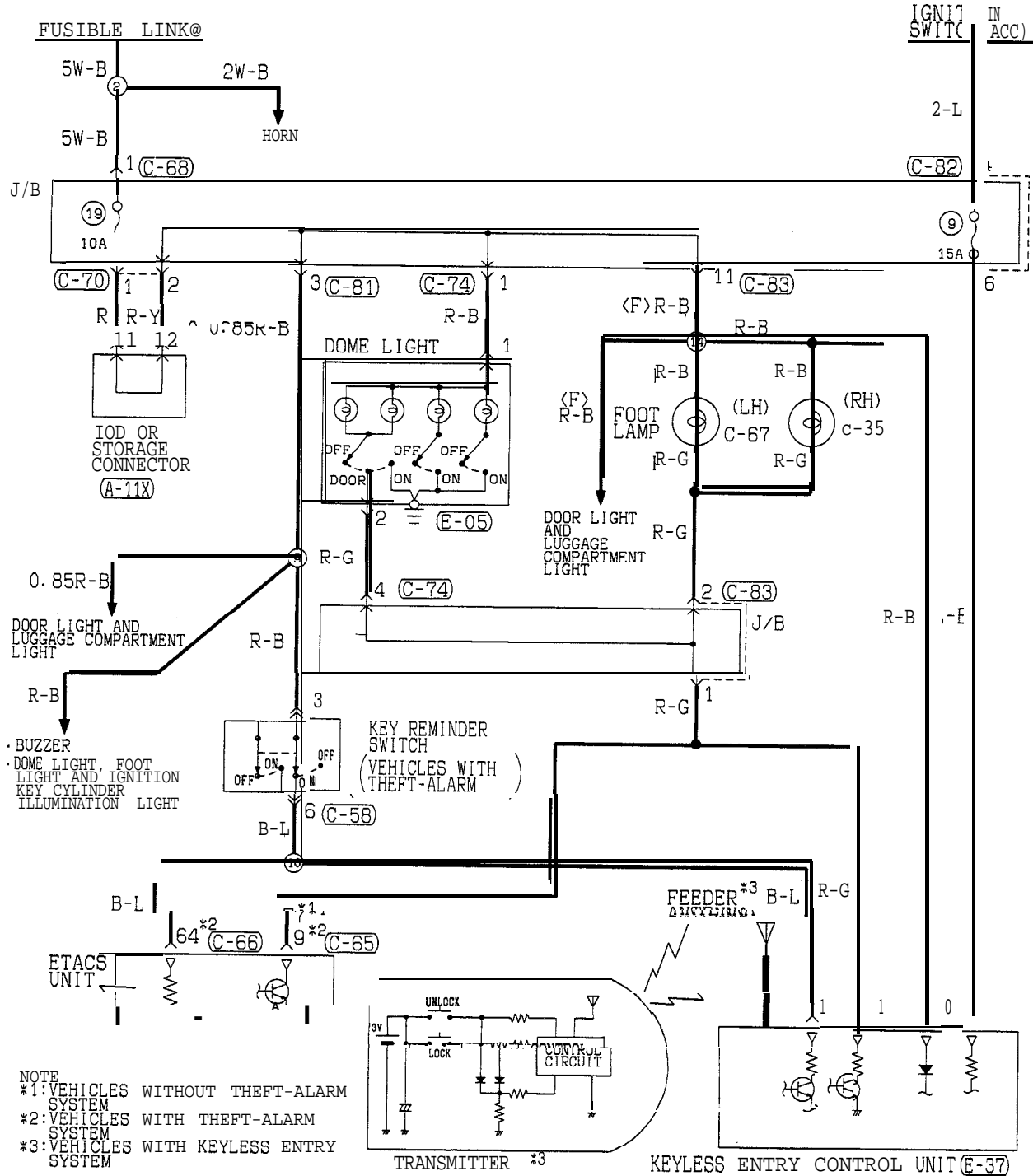


NOTE
 *1: VEHICLES WITHOUT POWER WINDOW
 *2: VEHICLES WITH POWER WINDOW
 *3: VEHICLES WITHOUT THEFT-ALARM SYSTEM
 *4: VEHICLES WITH THEFT-ALARM SYSTEM

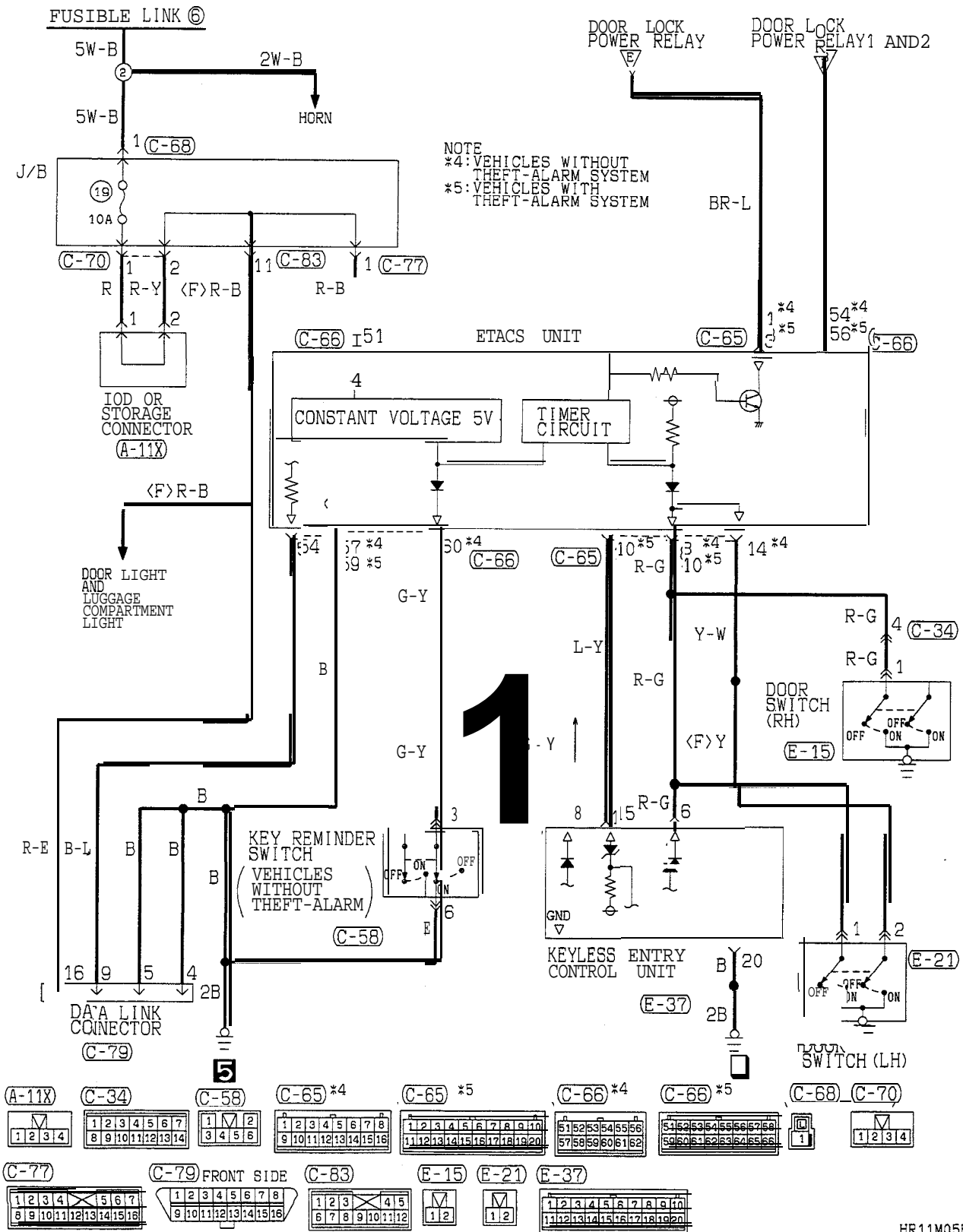


TSB Revision

CENTRAL DOOR LOCKING CIRCUIT (1994, 1995 MODELS) (CONTINUED)



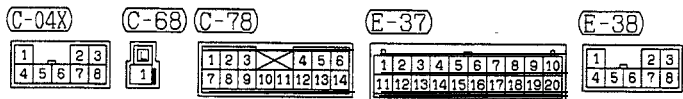
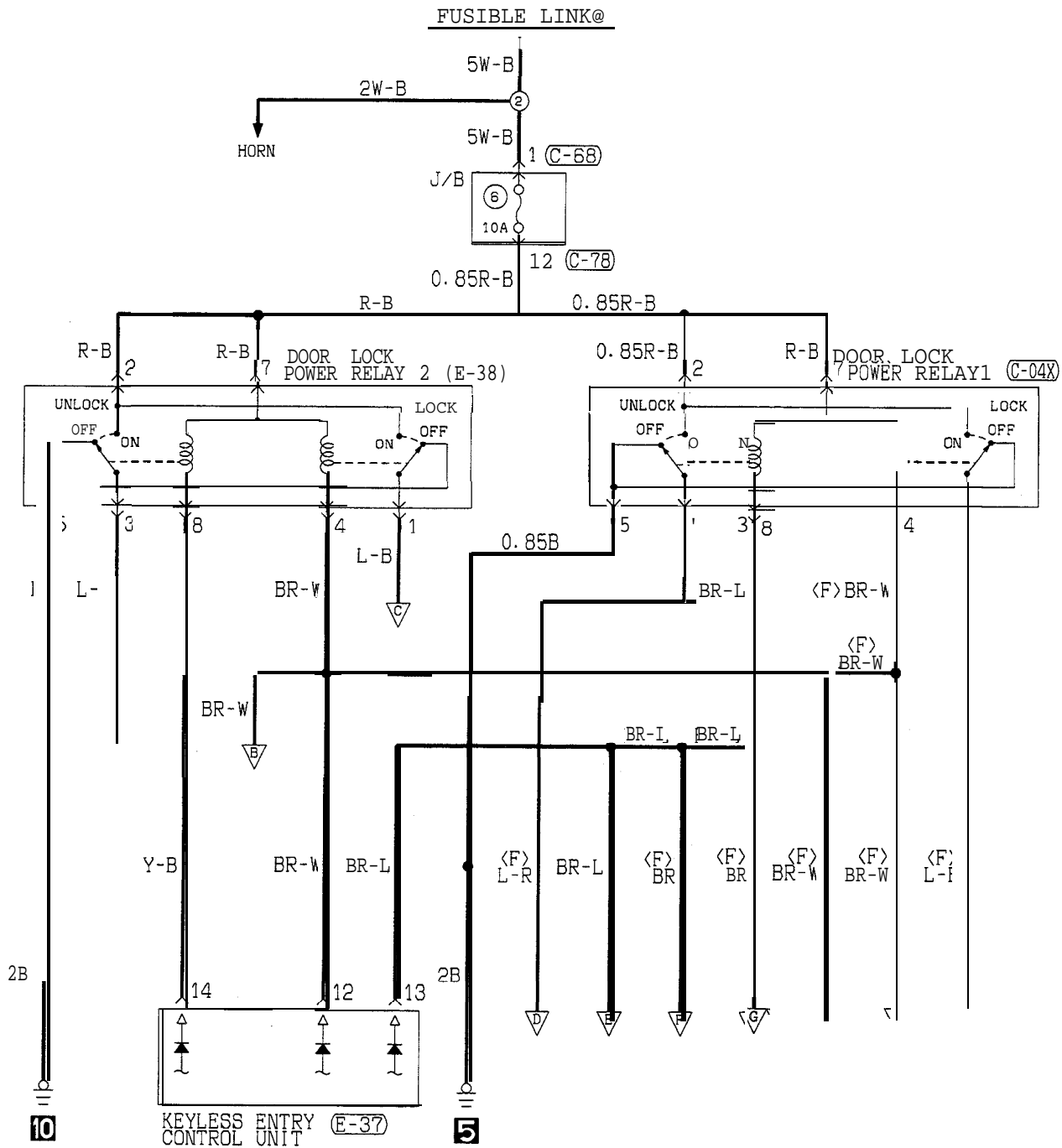
TSB Revision

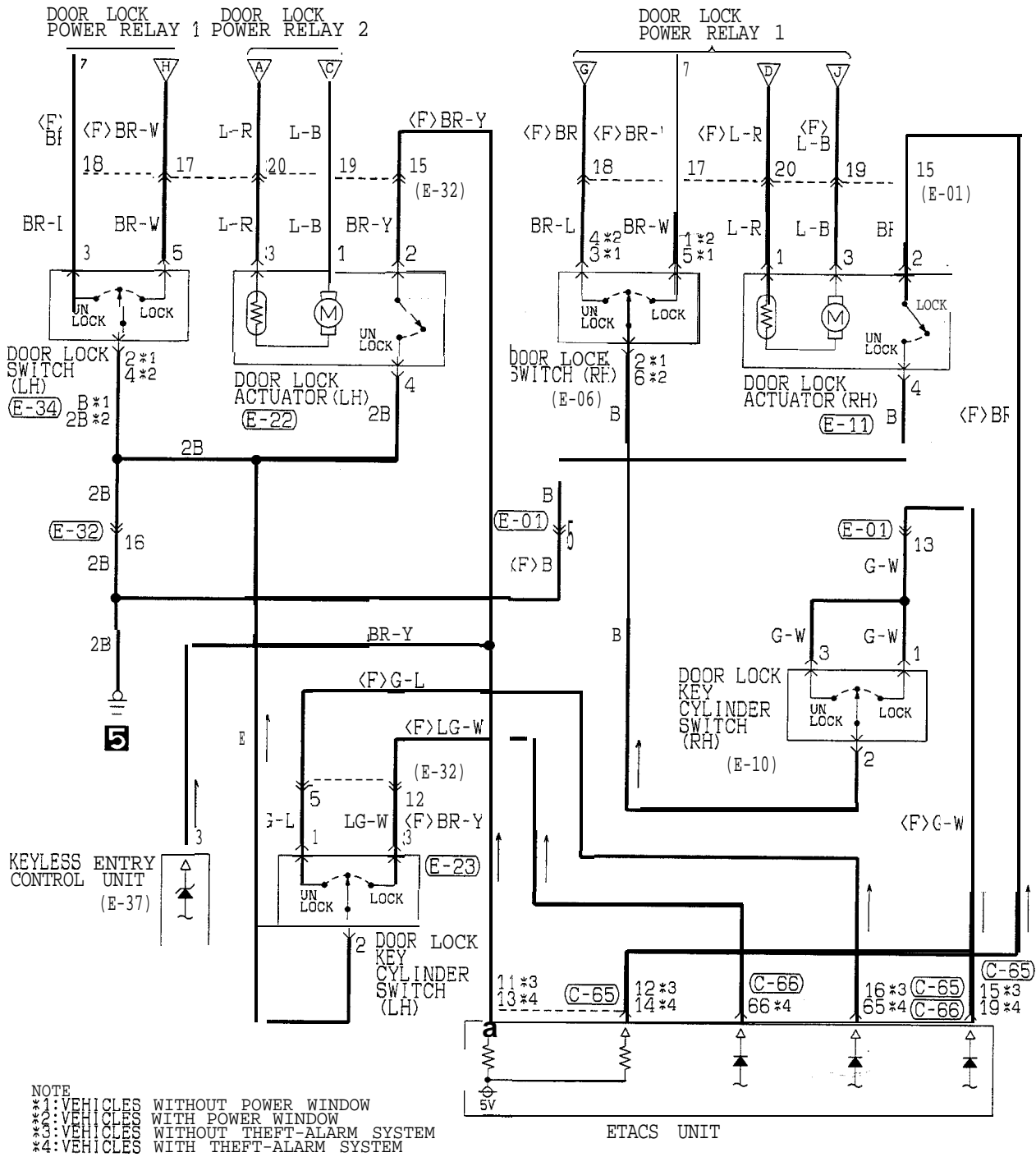


HR11M05BB

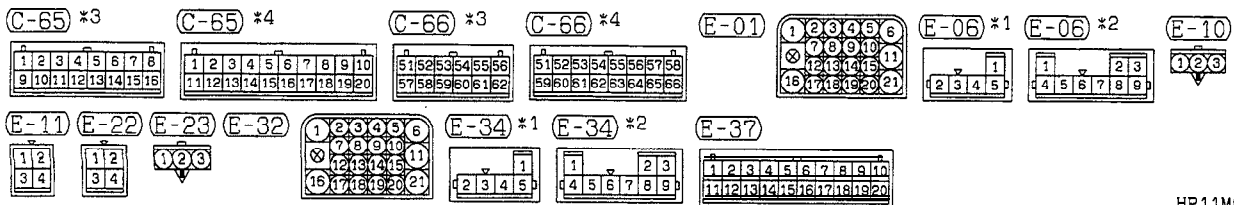
TSB Revision

CENTRAL DOOR LOCKING CIRCUIT (FROM 1996 MODELS)





NOTE
 *1: VEHICLES WITHOUT POWER WINDOW
 *2: VEHICLES WITH POWER WINDOW
 *3: VEHICLES WITHOUT THEFT-ALARM SYSTEM
 *4: VEHICLES WITH THEFT-ALARM SYSTEM



TSB Revision