

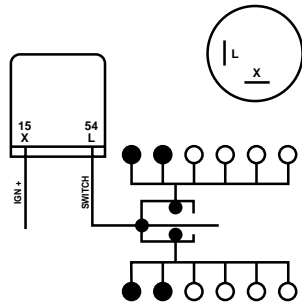
THERMAL FLASHER UNITS - 2 PIN TYPE

Hella flasher units are precision manufactured. They guarantee long life and reliable service.
 Clear audible signal and flashing rate in accordance with Australian and international road traffic codes.
 Flash rate 90 +/- 30 c.p.m.



Part No. 3004 2 Pin Type

Description: Offset type.
 To operate 2 lamps on either side of vehicle.
 Voltage: 12V.
 No. of globes: 2 x 32 cp long life.

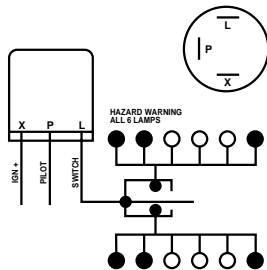


HIGH CAPACITY FLASHER UNITS - 2 AND 3 PIN TYPE



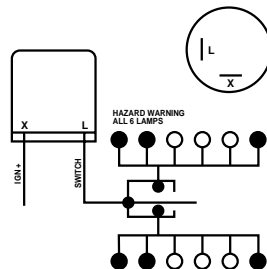
3007 3 Pin High Capacity Flasher Unit

Description: 3 pin high capacity flasher. Max. 6 lamps.
 Suitable for hazard warning applications.
 Voltage: 12V.
 No. of globes: 6 x 24W (32 cp).



3008 2 Pin High Capacity Flasher Unit

Description: 2 pin high capacity flasher. Max. 6 lamps.
 Suitable for hazard warning applications.
 Voltage: 12V.
 No. of globes: 6 x 24W (32 cp).



HIGH CAPACITY ELECTRONIC FLASHER UNITS - 2 AND 3 PIN TYPE

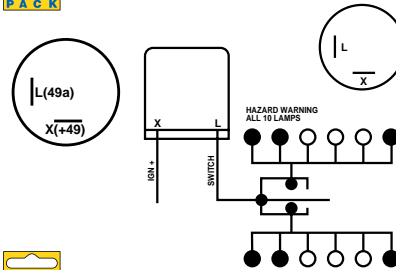
Part No.

3026 2 Pin High Capacity Flasher Unit

Description: High capacity electronic flasher unit. Up to 210W load. Reverse polarity protected, polycarbonate cover, silver contacts. Clear audible signal.

Voltage: 12V.

No. of globes: 1-10 x 21W.

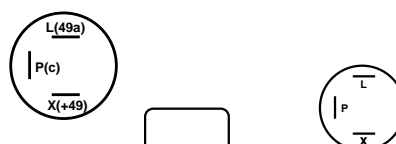


3027 3 Pin High Capacity Flasher Unit

Description: Same as Part No. 3026.

Voltage: 12V.

No. of globes: 1-10 x 21W.

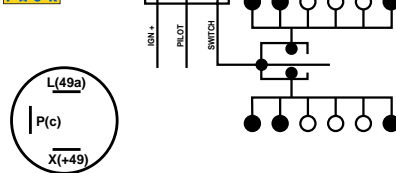


3028 3 Pin High Capacity Flasher Unit

Description: Same as Part No. 3026.

Voltage: 24V.

No. of globes: 1-10 x 21W.



Application Reference Guide

This listing applies to Part No's. 3026, 3027 and 3028

Make Model	Year	Part No.	Make Model	Year	Part No.	Make Model	Year	Part No.
Alfa Romeo:			Holden:			Mitsubishi:		
Alfa Sud model T1	76-79	3027	Gemini	75-76	3026	Colt 1000, Fast Back,		
Alfa 1.8, Alfetta GLE,			Gemini TC, TD	77-79	3027	1100 Fastback and 3 Door Colt,		
Giulietta	76-81	3027	Gemini TE	77-79	3026	L300, Express, Sigma GH, GJ, Cordia		
			FE, FC, FB, FK,			79-on	3026	
Austin:			EJ, EH, HD	57-65	3027			
180MK1, 11, Sprite			HK, HG, HT, HQ, HJ, HX,			Morris:		
MK111A, Vanden Plas	65-71	3027	HZ, Monaro LS, GTS, Kingswood	68-79	3026	All models	57-73	3027
Tasman, Kimberley	72-73	3026				Nissan/Datsun:		
			Brougham, Statesman,			120Y, 180B, 200B,		
Chrysler:			Caprice	68-Jul 83	3026	Sunny Stanza,	72-81	3026
Valiant, Galant,			Commodore, VB, VC	78-81	3026	Pulsar	80-81	3026
Lancer, Regal	62-79	3026	Commodore, VH	to Jul 83	3026			
Centura KB, KC	75-79	3027	Torana LC, LJ, LH, TA,			Porsche:		
			LX, UC, Sunbird UC	64-81	3026	911, 912	64-68	3027
Flat:						Renault:		
All models	to-79	3026	Honda:			R10, R12, R16	to-74	3027
Super Brava	82-on	-	H1300, C, N360, N600	68-72	3027	Rover:		
						2000 Saloon, 3.5ltr,		
Ford:			Jaguar:			V8, Landrover	64-69	3027
Escort	to-76	3026	2.4, 3.4, 3.8 Ltr MK1 and 11	to 69		3.5ltr, V8, 3500 VB,		
Cortina CE,	to-68	3027	3027			2000 Landrover	70-71	3026
Cortina CE, CD,			MK10, E Type,			3500 V8, 2000, Landrover,		
TC, TD, TE, TF	68-83	3026	420 and S Type	63-68	3027	Range Rover, SD1 3500	72-83	3026
Falcon XK, XL, XM, XP	60-67	3026	E Type, XJ6	69-73	3026			
Falcon XR, XT, XW,						Subaru:		
XY, XA, XB, XC	67-79	3026	Jeep:			All models	73-81	3027
Fairlane ZA, ZB, ZC,			CJ5, CJ6, Wagoneer,			Triumph:		
ZD, ZH500, ZG500	67-79	3026	Renegade, CJ7	70-on	3026	2500, TR4A, TR5, TR6,		
Galaxie, Marguis, LTD	66-79	3027				Spitfire, 2000 Saloon Mite,		
Landau	73-Aug 76	3026	Leyland:			Sprint	73-79	3026
			P76, Marina, Mini and Moke	73-75		Volkswagen	Feb 68-69	3026
			3026			Volvo:		
			Mini K, 1100, Clubman,			122, 123, 123 FT, 130	64-71	3027
			Moke and Moke California	76-81	3027	142, 144, 145, 1800, 164	66-71	3026

8003 Universal Flasher Unit Metal Bracket

Description: For mounting Hella flasher units - 32mm dia.



SOLID STATE ELECTRONIC FLASHER UNITS



Part No.

3016

Solid State Electronic Flasher Unit

Description: To operate 2 or 3 lamps on either side of vehicle. Incorporates hazard warning flasher system when used in conjunction with Hella switch Part No. 5227.

Voltage: 12V.

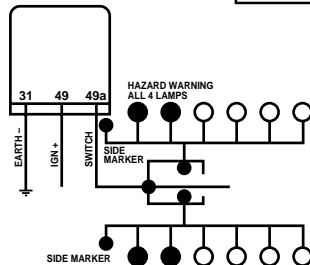
No. of globes: 2(4) x 21W + 0 - 5W.

Replaces:

Ford	78DA 13350AA, ASF-3
Toyota	T340 81 026, 81980-220616
Nissan	25520-V9600, 25730-J7000
GMH	92017464

Suits:

Ford	Escort 5.76 - 3.81 Falcon, Fairmont, Fairlane, LTD 3.79-
Nissan	Bluebird 5.81- Pulsar 1.83-
GMH	Camira 6.82- Commodore, Gemini, Statesman 7.83- WB utility, One Tonner 7.83
Toyota	Corona 6.90- Corolla 1.80-10.81 Lexusen 9.89-
VW	All models 1.71-



3022

Solid State Electronic Flasher Unit

Description: To operate 2 or 3 lamps on either side of vehicle. Incorporates hazard warning flasher system when used in conjunction with Hella switch Part No. 5227.

Voltage: 12V.

No. of globes: 2(4) x 21W + 0 - 5W.

Replaces:

Ford	Laser B001-66830A Telstar G030-66830A
Mazda	323 B001-66830A 626 G030-66830A

Suits: Same as Part No. 3016.



3017

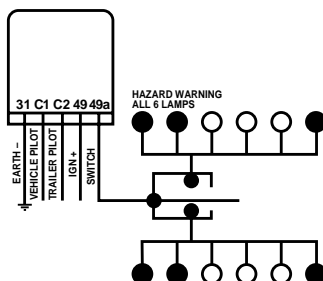
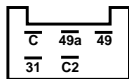
Solid State Electronic Flasher Unit - 12V

3018

Solid State Electronic Flasher Unit - 24V

Description: Caravan or trailer flasher unit. To operate 2 or 3 lamps on either side of the vehicle. With mounting bracket. Separate pilot lamp indicates operation of flasher lamp on the trailer. Incorporates hazard warning flasher system when used in conjunction with Hella switch Part No. 5227.

No. of globes: 2 + 1(6) x 21W.



SOLID STATE ELECTRONIC FLASHER UNITS

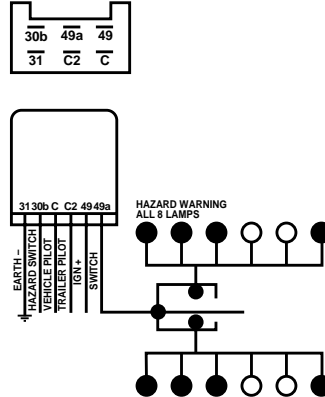
Part No.

3032

Solid State Electronic Flasher Unit

Description: For heavy trucks with trailers. With mounting bracket. To operate 3 lamps on either side of towing vehicle, plus an additional lamp on either side of a trailer. Separate pilot lamp indicates operation of flasher lamp on the trailer. Incorporates hazard warning flasher system when used in conjunction with Hella switch Part No. 5227.

Voltage: 24V.
No. of globes: 3 + 1(8) x 21W.

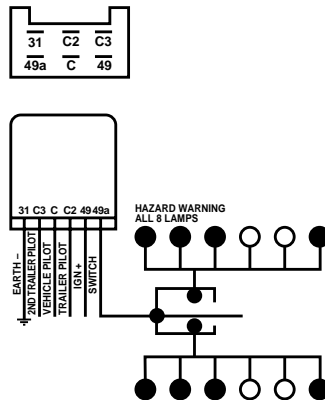


3033

Solid State Electronic Flasher Unit

Description: To operate 2 lamps on either side of a towing vehicle plus an additional lamp on either side of each of two trailers. Separate pilot lamp indicates operation of flasher lamp on the trailer. Incorporates hazard warning flasher system when used in conjunction with Hella switch Part No. 5227.

Voltage: 12V.
No. of globes: 2 + 1 + 1(8) x 21W.



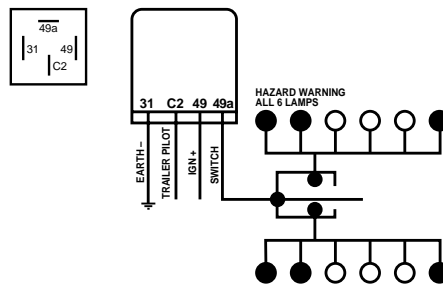
CARAVAN / TRAILER CONVERSION FLASHER UNIT

3035

Caravan / Trailer Conversion Flasher Unit

Description: Specially designed to enable the caravan or trailer owner to operate 2 or 3 lamps simultaneously. Incorporates a specially designed mechanism which automatically compensates as the wattage load is varied.

Voltage: 12V.
No. of globes: 2 + 1(6) x 21W + 0 - 5W.
Suits: Audi, BMW, British Leyland, Daihatsu, Datsun, Ford, Honda, Mazda, Mitsubishi, Holden, Porsche, Saab, Subaru, Toyota, Volvo and VW.



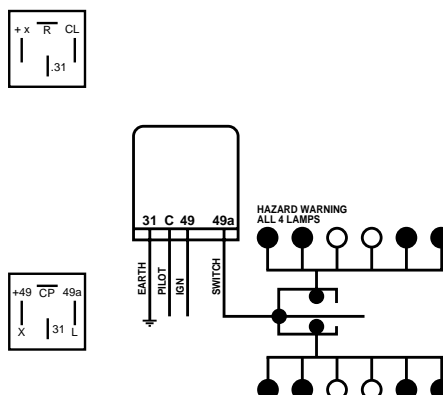
HIGH CAPACITY FLASHER UNITS

3014

High Capacity Flasher Unit

Description: Heavy duty flasher unit manufactured to take up to 200W loads. Suits emergency flasher lamp Part No's. 1692, 1694 and 1696.

Voltage: 12V.
Load: 10 - 200W.



3015

High Capacity Flasher Unit

Description: Heavy duty flasher unit manufactured to take up to 200W loads. Suits emergency flasher lamp Part No's. 1692, 1694 and 1696.

Voltage: 24V.
Load: 10 - 200W.

